



Knight Rifles
Owner's Manual

WARNING!

Muzzleloaders are dangerous if not handled properly. It is important that you understand all of the information in this manual prior to using your Knight Rifle. Failure to do so may result in harm to your rifle, yourself and/or bystanders.

DO NOT USE SMOKELESS GUNPOWDER!



**Knight® Rifles Instructions
and Safety Manual**

Contents

Introduction.....	5	DISC Extreme™,	
Safety Definition.....	5	Long Range Hunter™,	
Unpacking Your New Knight Muzzleloader.....	6	Mountaineer™.....	26
Getting to Know Your New Knight Muzzleloader.....	6	Action and Safety Systems.....	26
		Disassembly and Assembly.....	27
		209 Conversion Non-Full Plastic Jacket Breech Kit.....	29
Basic Safety Rules.....	7	Bighorn™.....	30
Basic Firearm and Muzzleloader Safety Rules.....	7	TK2000 Shotgun™.....	32
Special Muzzleloader Safety Rules.....	8	Littlehorn™.....	34
Care and Cleaning.....	9	Bighorn™, Littlehorn™	
		TK2000™ Shotgun.....	36
Loading and Firing.....	11	Action and Safety System.....	36
Preparing to Load.....	11	Disassembly and Assembly.....	37
Loading Instructions for Rifles.....	12	209 Conversion Non-Full Plastic Jacket Breech Plugs.....	38
Priming the Full Plastic Jacket.....	12	Knight Parts™.....	39
Loading Instructions for the TK2000 Muzzleloading Shotgun.....	13	Knight Warranty™.....	42
Firing.....	14	Service Policy.....	42
Reloading.....	14	Instructions for Return.....	42
		Warranty Limitations.....	43
Recommended Loads.....	15	Limited Lifetime Warranty Extended Service Policy (Mountaineer™, DISC Extreme™, Bighorn™, Littlehorn™, TK2000™, Long Range Hunter™).....	44
Recommended Loads for the TK2000™ Shotgun.....	15	Notes.....	46
Recommended Loads for Rifles.....	16		
Ballistics Chart.....	17		
Adjustments.....	18		
Trigger Adjustment.....	18		
Sighting In.....	18		
Breech Plugs.....	19		
Mountaineer™.....	20		
DISC Extreme™.....	22		
Long Range Hunter™.....	24		

Dear Knight Rifle® owner,

Congratulations! As a member of the Knight® family, you now own the tradition of the past with the technology of the future. Knight® Rifles has helped muzzleloading mature from a nostalgic interest into a true hunting sport. Every year, numerous world records are taken across the globe. With your Knight® muzzleloader, you can expect unmatched accuracy on the range and in the field.

Hunting with a Knight® muzzleloader is a unique compromise between the challenge of using a bow and the devastating knockdown power of a center-fire rifle. Offering the best of both worlds, your Knight® muzzleloader will make your hunting experience the best it can be.

We know that you will derive many hours of shooting and hunting pleasure from your new Knight® muzzleloader. We look forward to your letters, pictures, comments and questions that you may have on how we can enhance your muzzleloading experience.

Your Partners in the Field
The Knight “**Born to Hunt**” Team

Safety Definition

In this manual, keep the following definition in mind to help you understand and use the safety information that is present throughout the manual:

WARNING!

Indicates information regarding a hazardous situation, which, if not avoided, may result in death or serious injury.

Introduction

Unpacking Your New Knight® Muzzleloader

Knight® Muzzleloaders are delivered factory-packaged, preserved with a coating of protective oil, and placed in a corrosion resistant bag for shipping. Before loading and firing, make certain that all protective oil has been cleaned from the bore, breech plug, nipple, and exposed firing mechanisms. Your muzzleloader has been tested, inspected, and properly packaged at the factory. Knight® Rifles cannot control product handling after shipment. Please examine the muzzleloader carefully at the time of purchase to ensure that it is unloaded and undamaged. Your dealer will be pleased to assist you in making this examination and will answer any additional questions you may have.

Getting to Know Your New Knight® Muzzleloader

Before loading and firing your new Knight® muzzleloader, it is important that you get to know your new muzzleloader. Read this manual to learn about muzzleloading in general and the features, limitations, and capabilities of your particular muzzleloader. The first part of the manual applies to all models. The second part contains a section with specific information about each model.

It is important that you select appropriate priming devices, amount and kind of propellant, and projectiles for your model.

All Knight® muzzleloaders are equipped to use 209 shotshell primers as priming devices. Some are also able to utilize percussion caps. Most Knight® muzzleloaders feature the **Full Plastic Jacket Ignition System Concept™**, which allows you to utilize a 209 shotshell primer as the ignition source, completely weatherproofing the receiver area. The hotter shotshell primer ignition puts more fire into the breech end ensuring spontaneous ignition, faster lock time, consistent velocity, and a hotter burn of the powder charge for a cleaner breech area. This contributes to better accuracy.

Knight® muzzleloaders use Black Powder FFg, and industry approved black powder substitutes. Some models can also use pelletized powder. **WARNING!** **Never use smokeless powder. It can cause your muzzleloader to explode. There are many black powder substitutes available. Be aware of and follow all instructions and warnings that apply to the propellant you choose.**

Knight® muzzleloaders use a variety of projectiles, depending on the model. **WARNING!** **Knight Rifles® does not recommend the use of non saboted lead projectiles. These bullets can easily be moved from the powder charge. This will result in an obstructed barrel, and upon firing, could cause an explosion. If you choose or legally have to shoot non saboted lead projectiles, always check that your projectile is properly seated immediately before priming and firing.**

Basic Safety Rules

WARNING! Muzzleloaders can seriously or fatally injure shooters and bystanders if not handled properly. Before you use your muzzleloader read this manual, particularly these Basic Safety Rules.

Supervise and teach muzzleloading and firearm safety to all members of your family. Never lend your muzzleloader to anyone who is not thoroughly familiar with its operation and the basic rules of muzzleloading safety. Be certain that anyone using your muzzleloader has read and understands this Instruction and Safety Manual. Always be defensive and on guard against gun handling around you and others.

Knight® muzzleloaders are designed to function properly in their original condition. Do not jeopardize your safety or the safety of others by modifying your muzzleloader.

Basic Firearm and Muzzleloader Safety Rules

Many of the safety rules for muzzleloaders are the same as those for firearms. The best way to learn about firearm safety is a course taught by an NRA-approved or other qualified instructor. Check with your local gun clubs and firearm dealers. Here are a few of the most important general firearm safety rules:

Handling, Loading, and Unloading

- Always handle all firearms and muzzleloaders as if they were loaded. Keep the muzzle pointed in a safe direction. Never point your firearm or muzzleloader at anything you do not intend to shoot.
- Keep your safeties on *safe* while handling and loading.
- Unload when not in use and never store a loaded firearm or muzzleloader. Remember to unload before cleaning too.
- Never intentionally drop a firearm or muzzleloader when loaded.
- Never climb with your firearm or muzzleloader. Use a rope or strap to lift and lower your unloaded firearm or unprimed muzzleloader.

Avoid Injuries When Firing

- Always wear adequate eye and ear protection when shooting.
- Never fire a firearm or muzzleloader with worn, broken, or modified parts.
- Never drink alcoholic beverages or take any type of drugs before or during shooting.
- Be sure of your backstop, what lies beyond, and the safety of bystanders, before you shoot.

Follow Hunting Safety Rules

- Never hunt from a tree stand without a full body harness
- Be aware of and follow the local hunting safety regulations

Basic Safety Rules

WARNING! Even if you are proficient with other firearms, rifles, or other similar muzzleloaders, be sure to read the special muzzleloader safety rules below, as there may be features or functions of this product that you are not familiar with.

Special Muzzleloader Safety

Avoid Accidental Firing

A muzzleloader can seriously or fatally injure you or bystanders due to accidental firing when it is primed with a priming device (either a 209 shotgun primer or percussion cap) but not loaded, when it is loaded with a powder and a projectile but not primed, or when it is both primed and loaded.

- Know your safety systems. Some models have two safety systems, while others have only one. Use all of the safety systems on your muzzleloader whenever you are not ready to fire.
- Keep your muzzle pointed in a safe direction if your muzzleloader fails to fire. It could fire after a delay.
- Remove the priming device before crossing a fence, climbing a tree, jumping a ditch, or negotiating other obstacles. A primed muzzleloader can fire if dropped or impacted.
- Never rest the firing pin or striker against the priming device. An impact in this condition could cause the muzzleloader to fire, even with safeties engaged.
- **Always swab the barrel with a moistened patch between shots to remove potential hot residue that could ignite powder and to improve shot to shot accuracy.**

Load Properly

- Never use smokeless powder in Knight® muzzleloaders.
- Never exceed the recommended maximum powder charge for your Knight® muzzleloader. Please see individual models for recommended load limits of Black Powder FFg, and industry approved black powder substitutes, by volume or its equivalent for Knight Rifles. See your specific rifle's page for maximum powder charges.
- Make sure your muzzleloader is unloaded before attempting to load.
- **Never install a percussion cap or primer on the nipple before loading.**
- Be sure that the barrel and nipple flash channel are clear of any obstruction.
- Be sure the bullet is firmly seated on the powder charge.

Care and Cleaning

Always clean and lubricate your muzzleloader after each day's shooting. A muzzleloader must be free of rust, dirt, grease, and powder residue to function safely and reliably. Careful maintenance, which includes inspection of all components to determine if they are in proper working order, is absolutely essential. Muzzleloaders use Black Powder FFg and industry approved black powder substitutes that are highly corrosive, and when fired will deposit corrosive particles and residue in the bore, breech plug, hammer, receiver, trigger and other parts of the rifle.

Rifle grade stainless steel is more rust and corrosion resistant than blued steel, but it is not rust proof. To insure your stainless steel rifle remains in superior condition, clean, oil, and store it in the same manner as a blued steel rifle.

Basic Cleaning Equipment Needed:

- Ramrod with Bore Brush (Fiber or Brass)
- Cleaning Jag
- Cleaning Patches
- Powder Solvent
- Breech Plug Grease
- Water Displacing Oil
- Small Lint-Free Cloths
- Pipe Cleaners
- Toothbrush

WARNING! Before cleaning, be certain that the rifle is unloaded and that no primer is in the receiver. Cleaning a loaded or primed rifle may result in accidental discharge.

Care and Cleaning

Instructions for Cleaning

- 1.) Disassemble your rifle as described in your specific model's section of this manual. Take care to put all small parts and similar components in a tray.
- 2.) Clean rifle with soap and water or an approved solvent. Do not use soaps with chlorides, lye, or bleach in them; the chemicals may remove blueing on your barrel.
- 3.) Clean your rifle from the breech end. Place your breech plug and hammer in hot soapy water of **Knight® Solvent™**. Do not use water to clean triggers for **DISC Extreme™**, **Long Range Hunter™**, **Mountaineer™**, **Bighorn™**, **Littlehorn™**, and **TK2000™**. Only a solvent should be used to clean these Knight Rifles. Clean with appropriate material and lubricate sear. Don't allow barreled action and other rifle parts to soak in soapy water or solvents for extended periods.
- 4.) Use a **Knight® Ultimate Range Rod™** or a ramrod with a **Knight® Bullet Starter™** handle and an attached cleaning jag. With the muzzle still in the hot soapy water, place a patch over the rear of the receiver and push into the barrel. Scrub the bore vigorously to completely remove all foreign matter, powder residue, and fouling. Repeat this as many times as necessary to get a clean bore.
- 5.) Thoroughly scrub and clean the breech plug threads in the receiver. A toothbrush, bottle brush, or bullet starter with adapter and 20 gauge shotgun brush work well for this task.
- 6.) Using a toothbrush or pipe cleaner, thoroughly clean the receiver, hammer, breech plug, trigger and other components of all residues, fouling, etc.
- 7.) Thoroughly dry all metal surfaces and generously lubricate your rifle inside and out using **Knight® Oil™** with rust inhibitor.
- 8.) Reassemble your muzzleloader according to the instructions in your model's section of this manual.

Preparing to Load

WARNING! To reduce the risk of accidental discharge, perform the following checks.

- 1.) Confirm that all safeties are functioning properly and are in the **safe** position.
- 2.) Check that there is no primer, either live or spent, installed.
- 3.) Place the rifle butt on the ground, remove the ramrod, and place it in the bore. If the ramrod tip is near flush with the muzzle, the rifle is unloaded and the bore free from obstruction. Remove the ramrod from the barrel.

After your rifle has been cleaned and oiled, you must clear the breech plug firing hole of any oil and debris prior to use. This is done as follows:

- 1.) Install a primer. Point the muzzle at the ground and hold 4 to 6 inches from dirt or grass. Place safeties in the **fire** position and fire a primer. Observe the dirt or grass move when the primer is fired. This will indicate that the breech plug flash channel is clear. If the flash channel is not clear, remove the debris before proceeding. Repeat this step one more time. Always remove the spent primer after each ignition.
- 2.) Return the safeties to the **safe** position.
- 3.) Leave the action open during swabbing and loading. (Except break open actions which should remain closed.)
- 4.) Place the butt of the rifle on the ground. Screw the cleaning jag into the end of the ramrod. Moisten a cleaning patch with **Knight® Easy Clean™** and wring any excess liquid out with your fingers. Using short, quick strokes of you ramrod and cleaning jag, swab the entire bore several passes with the wet patch until it contacts the breech plug. Place a dry patch on the jag and swab the entire barrel again, making sure to contact the breech plug.

This process will help prevent misfires and hangfires. It will also improve first shot accuracy by removing grease and oils left in the bore during cleaning

Loading and Firing

Loading Instructions for Rifles

- 1.) Make sure that all safety systems are engaged before loading and that there is no primer, live or spent, installed.
- 2.) Place the butt of the rifle on the ground so that the muzzle is facing up and away from the body.
- 3.) If using loose propellant, set your powder measurer to the desired amount and fill the powder measure. Pour powder into the muzzle. **WARNING!** To reduce the risk of an explosion, do not pour directly from the propellant container, do not exceed recommended loads (see load chart on page 14), and only load your Knight® Rifle with recommended black powder or black powder substitute. Never use smokeless powder!
- 4.) If using pelletized powder, place the recommended number of pellets into the muzzle.
WARNING! To reduce the risk of an explosion, do not exceed recommended loads (see load chart on page 14)
- 5.) If using sabots, place the bullet firmly in the proper sabot so that the bullet's base is squarely seated.
- 6.) Insert the projectile and start it down the bore using a Knight® Bullet Starter™.
- 7.) Using a hand over hand motion, drive the bullet down onto the powder charge using the concave end of the ramrod or cleaning jag. Do not pound or bounce the ramrod on the bullet. This will deform or displace the projectile, causing loss of accuracy and bullet performance. If using pelletized powder, this can also crack or crush the pellets, resulting in loss of accuracy and performance. **WARNING!** If the bullet is not seated firmly on the powder charge, the rifle may explode when fired.
- 8.) Remove your ramrod from the bore.
- 9.) Double check your trigger and secondary safeties and be sure that both are on safe. Be sure the rifle is pointed in a safe direction. Depending on your model, pull the hammer locks into firing position, open the bolt on a DISC™ Rifle, or release the drop or break-open action.
- 10.) Insert a priming device or 209 primed **DISC Full Plastic Jacket™**. Close the bolt and drop or break-open action.

Priming the Full Plastic Jacket™

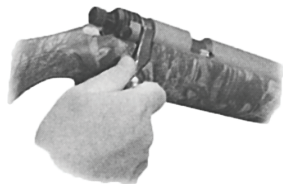
- 1.) Insert the 209 shotgun primer into the large end of the **Full Plastic Jacket™**.



- 2.) Lift the bolt and pull back. Place the **Full Plastic Jacket™** into the breech and close the bolt.



- 3.) A weather-proof seal is formed over the primer and nipple.



Loading and Firing

11.) (ACCURACY) Upon firing your cleaned and oiled rifle or shotgun and after performing 1(a) or 1(b) on page 7 and if you notice any first shot accuracy or patterning issues, we recommend that you do the following each time before you load and fire your clean and oiled rifle and shotgun.

WARNING! Your rifle is now armed. Do not point your rifle at anything that you do not want to shoot.

Loading Instructions for the TK2000™ Muzzleloading Shotgun

- 1.) Make sure that all safety systems are engaged before loading and that there is no primer, live or spent, installed.
- 2.) Place the butt of the shotgun on the ground so that the muzzle is facing up and away from the body.
- 3.) Measure out either FFg black powder, or equivalent and pour into the barrel (120 grains maximum). Suggested 100 grain max when using T7. **WARNING!** To reduce the risk of an explosion, do not pour directly from the propellant container, do not exceed recommended loads (see load chart on page 12), and only load your Knight™ Rifle with a recommended black powder or black powder substitute. Never use smokeless powder! Do not use pelletized powder, it does not fit the 12 gauge bore properly and can cause an explosion, delayed ignition, or no ignition.
- 4.) Push an empty shot wad down the bore with the smaller end of the ramrod, seating the wad firmly on the powder charge. Fill a spare shot wad (of the same size) full with your choice of shot size, and carefully pour shot from the spare wad down the bore. Maximum of 2 1/2 oz. of shot.
- 5.) Push an over-shot wad down the bore with the jag end of the ramrod. Do not be concerned if the over-shot wad starts in sideways, as it will straighten itself out on the way down. Make sure the wad is firmly seated on the shot.
- 6.) With both safeties on and the muzzle pointed in a safe direction, prime the gun.

WARNING! Your shotgun is now armed. Do not point your shotgun at anything that you do not want to shoot.

Loading and Firing

Firing

- 1.) With your action locked into the firing position and all safeties on, bring the muzzle-loader to your shoulder and put the desired target in your sights.
- 2.) When you are ready to shoot, screw the secondary safety in a counter-clockwise motion until it rests against the face of the hammer screw.
- 3.) Sight in on the target, move the trigger safety to **fire**.
- 4.) The muzzleloader can now be fired with the squeeze of the trigger. Be confident of your target and squeeze to fire.

Reloading

- 1.) Return all safeties to the **safe** position.
- 2.) Remove live or spent percussion caps and primers from your firearm.
- 3.) Leave the action open during swabbing and loading. (Except break open actions which should remain closed.)
- 4.) Place the butt of the rifle on the ground.
- 5.) Screw the cleaning jag into the ramrod.
- 6.) Moisten the cleaning patch with **Knight® Easy Clean™** and wring any excess out with your fingers.
- 7.) Using short, quick strokes with your ramrod and cleaning jag, swab the entire bore several passes with the wet patch until it makes contact with the breech plug. Remove and discard the soiled patch.
- 8.) Place a dry patch on the jag and swab the entire barrel again, making sure to contact the breech plug.

This process will ensure better shot to shot accuracy.

WARNING! Failure to swab the barrel as instructed before reloading could leave hot residue in the barrel which could result in accidental discharge during reloading.

WARNING! There are many black powder substitutes available. Read and follow all instructions and warnings provided by the manufacturer of the propellant you choose.

Recommended Loads/Load Chart

Recommended Loads

Knight® Rifles are designed to perform best between 90 and 150 grains of Black Powder, and industry approved black powder substitutes. See maximum recommended load for specific models. **WARNING!** Never use smokeless powder. It can cause your muzzleloader to explode.

When determining the best load for your Knight® Rifle, follow these steps:

- 1.) Determine which game you intend to hunt and what bullet weight you intend to use. (see page 10) **WARNING!** Knight® Rifles does not recommend the use of non-saboted lead projectiles. These bullets can easily be moved from the powder charge. This will result in an obstructed barrel, and upon firing, could cause and explosion. If you choose or legally have to shoot non-saboted lead projectiles, always check that your projectile is properly seated immediately before priming and firing.
- 2.) Sight in your rifle. Start with 100 grains of Black Powder and industry approved black powder substitutes, loose powder or pellets. If you don't achieve the desired results, go up or down in 10 grain increments and try sighting again.

Recommended Loads for the TK2000™

	Turkey	Upland Game
SHOT	Use #4, #5, or #6 Knight® Red Hot™ lead shot, depending on your preference	Use #4, #5, or #6 Knight® Red Hot™ lead shot, depending on your preference
POWDER	Use loose black powder or industry approved black powder substitute equivalent to maximum of 120 grains FFg. Use whichever is more comfortable for you or shoots the best pattern.	Use loose black powder or industry approved black powder substitute equivalent to maximum of 120 grains FFg. Use whichever is more comfortable for you or shoots the best pattern.
CHOKE	Use the extra-full choke that comes with the gun for the tightest patterns possible, and use only lead shot with this choke.	
WADS	Knight 3 1/2" shot wads	Standard 1 1/8th ounce 12 gauge shotgun wads.

Load Chart

The following chart is intended to be used as a reference to assist you in determining what Knight bullet to use for what game. It is for reference only. You should ultimately decide what works best for you. All bullets are assumed to be in **Knight's® High Pressure Sabots™**.

GAME SIZE	BULLET WEIGHT	LOAD	POWDER TYPE
Antelope, Whitetail, Mule Deer	.45 cal = 175, 195 Red Hots	120-150	Loose or Pelleted Powder
	.50 cal = 250, 300 Red Hots	100-150	Loose or Pelleted Powder
	.50 cal = 245, 285 Spitzer Boat Tails	100-150	Loose or Pelleted Powder
	.52 cal = 275, 350, 375 Red Hots	130-150	Loose Powder ONLY
	.50 cal = 310 Lead	90-120	Loose or Pelleted Powder
	.50 cal = 260 Jacketed Hollow Point .50 cal = 250, 290 Polymer Tip	90-120 100-150	Loose or Pelleted Powder Loose or Pelleted Powder
Elk, Caribou, Moose	.50 cal = 250, 300 Red Hots	100-150	Loose or Pelleted Powder
	.52 cal = 275, 350, 375 Red Hots	130-150	Loose Powder ONLY
	.50 cal = 285 Spitzer Boat Tails	100-150	Loose or Pelleted Powder
	.50 cal = 310 Lead	90-120	Loose or Pelleted Powder
	.50 cal = 300 Jacketed Hollow Point .50 cal = 250, 290 Polymer Tip	90-120 100-150	Loose or Pelleted Powder Loose or Pelleted Powder
Big & Dangerous Game	.52 cal = 350, 375 Red Hots	130-150	Loose Powder ONLY

- 1.) Knight® Rifles are designed to perform best with Black Powder Ffg, and industry approved black powder substitutes.
- 2.) Smaller Bullet weights will provide flatter trajectory, but may not be as accurate as the heavier, longer bullets.
- 3.) Heavier bullets will give better penetration and more energy transfer and are more suited to heavier powder charges.

Ballistics Chart

100 Grains Triple 7 Pellets

150 Grains Triple 7 Pellets

Bullet Description	Range (yards)	100 Grains Triple 7 Pellets			150 Grains Triple 7 Pellets			
		Bullet Impact (inches)	Velocity (ft./sec.)	Energy (ft./lbs.)	Range (yards)	Bullet Impact (inches)	Velocity (ft./sec.)	Energy (ft./lbs.)
.45/175	0	-1.50	1625	1026	0	-1.50	2368	2176
Knight Red	50	1.23	1483	854	50	0.17	2174	1837
Hot Bullet	100	0.00	1354	713	100	0.00	1991	1541
Saboted	150	-5.99	1239	597	150	-2.37	1881	1284
	200	-17.63	1151	515	200	-7.36	1657	1067
.45/195	0	-1.50	2086	1884	0	-1.50	2417	2529
Knight Red	50	0.47	1879	1529	50	0.16	2192	2080
Hot Bullet	100	0.00	1687	1232	100	0.00	1979	1695
Saboted	150	-3.57	1511	988	150	-2.39	1779	1370
	200	-10.98	1354	794	200	-7.50	1594	1100
.50/245	0	-1.50	1689	1553	0	-1.50	2069	2329
Knight	50	1.49	1528	1270	50	0.86	1882	1927
Spitzer	100	0.00	1383	1041	100	0.00	1706	1583
Boattail	150	-6.05	1257	860	150	-3.85	1543	1296
	200	-17.60	1154	724	200	-11.37	1397	1061
.50/250	0	-1.50	1719	1342	0	-1.50	2013	2249
Knight Red	50	1.45	1544	1343	50	0.81	1816	1831
Hot Bullet	100	0.00	1387	1068	100	0.00	1633	1480
Saboted	150	-5.98	1252	870	150	-4.15	1466	1193
	200	-17.53	1143	726	200	-12.25	1320	966
.50/250	0	-1.50	1677	1562	0	-1.50	1991	2202
Knight	50	0.96	1522	1286	50	0.95	1814	1828
Polymer Tip	100	0.00	1382	1061	100	0.00	1649	1509
Boattail	150	-5.11	1260	882	150	-4.16	1496	1243
	200	-15.25	1159	746	200	-12.21	1359	1026
.50/285	0	-1.50	1612	1645	0	-1.50	1943	2389
Knight	50	1.24	1481	1387	50	0.99	1789	2026
Spitzer	100	0.00	1369	1185	100	0.00	1645	1712
Boattail	150	-5.89	1266	1014	150	-4.21	1510	1444
	200	-17.20	1182	883	200	-12.23	1388	1219
.50/290	0	-1.50	1615	1681	0	-1.50	1944	2434
Knight	50	1.23	1484	1419	50	0.61	1792	2067
Polymer Tip	100	0.00	1365	1201	100	0.00	1648	1749
Boattail	150	-5.89	1260	1023	150	-3.81	1514	1477
	200	-17.26	1171	883	200	-11.42	1392	1249
.50/300	0	-1.50	1545	1591	0	-1.50	1929	2480
Knight Red	50	1.84	1401	1308	50	1.04	1753	2049
Hot Bullet	100	0.00	1275	1082	100	0.00	1590	1685
Saboted	150	-7.20	1170	911	150	-4.49	1441	1384
	200	-20.74	1088	788	200	-13.18	1309	1142
.52/275	0	-1.50	1729	1825	0	-1.50	2091	2669
Knight Red	50	1.19	1499	1372	50	0.55	1825	2033
Hot Bullet	100	0.00	1302	1036	100	0.00	1584	1531
Saboted	150	-6.21	1150	807	150	-4.08	1373	1152
(loose powder)	200	-18.56	1044	666	200	-12.55	1203	883
.52/375	0	-1.50	1570	2052	0	-1.50	1938	3127
Knight Red	50	1.27	1471	1801	50	0.56	1807	2719
Hot Bullet	100	0.00	1379	1583	100	0.00	1683	2357
Saboted	150	-5.68	1295	1396	150	-3.68	1565	2040
(loose powder)	200	-16.52	1220	1240	200	-10.97	1456	1765

Adjustments

Trigger Adjustment

WARNING!

All trigger and sear adjustments must be made by the factory or a certified gunsmith only. Incorrect adjustments can increase the risk of accidental discharge. Do not reduce trigger pull to less than three pounds, as this increases the risk of an accidental discharge. Creation of a lower trigger pull is an unauthorized alteration and is a misuse of the product. Any and all alterations voids warranty.

Bighorn™, Littlehorn™, TK2000™, DISC Extreme™, Long Range Hunter™ and Mountaineer™.

All Knight® Rifles have crisp adjustable triggers that have been set at the factory for a clean release at approximately 3 1/2 pounds.

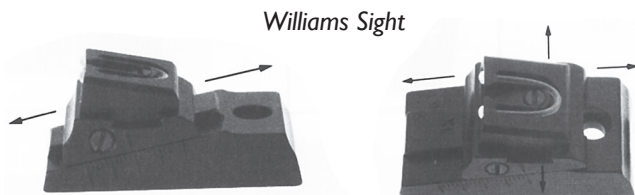
Sighting In

To shoot your rifle accurately, your rifle needs to be sighted in for your personal sight picture. Follow the loading procedures on pages 9-12 to sight your rifle accurately. Before loading and firing, be sure to read “General Loading and Firing” on page 9 and the section related to your particular model.

We recommend beginning “sight-in” at 50 yards, maintaining a point of impact 2” above the center of the bullseye. Then move to 100 yards for you final sight.

Your rifle’s sights can be adjusted by moving the rear sight. To make your rifle shoot higher, move the rear sight higher. To make your rifle shoot lower, move the rear sight lower. When you want to move the impact of the projectile to the right, move the rear blade to the right. Regardless of the sight you have or its method of adjustment, move the rear sight in the direction you wish the impact of the projectile to move. Do not over tighten your sight screws.

All Knight® Rifles are drilled and tapped for easy mounting of scope rings and bases. When sighting in a scope, follow the manufacturer’s directions. Scope mounts are recommended by rifle model.



Breech Plugs

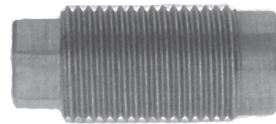
All Knight® Rifles are equipped with a removable breech plug for easier cleaning. The breech plug should be removed at the end of each shooting session for a thorough cleaning of the bore and breech area. Knight® Rifles manufactures several styles of breech plugs, and you should familiarize yourself with the one in your rifle.

WARNING! Using the wrong breech plug may cause the breech plug to blow out the back of the muzzleloader. When in storage or in use, the breech plug must always have high temperature synthetic grease, such as Knight's® Breech Plug Grease™, applied to the threads. This will help prevent the breech plug from becoming stuck in the receiver. Apply plenty of grease to all of the breech plug threads.

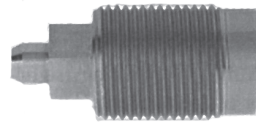
Knight® Mountaineer™,
.50 & .52 Caliber,
1 1/16" Bare 209 Primer
M000610



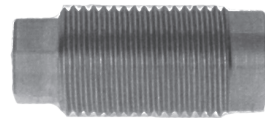
Bighorn™, TK2000™
Littlehorn™
.50 Caliber, 5/8" - 18
#11 & Musket, Nipple Use
M900023



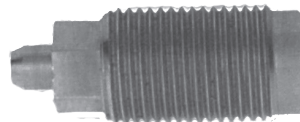
DISC Extreme™, LRH™
.45, .50, .52 Caliber, 1 1/16"
209 Primer w/FPJ
M900024



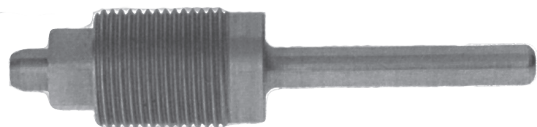
Bighorn™,
.52 Caliber, 1 1/16"
#11 & Musket
Nipple Use
M000624



Bighorn™, Littlehorn™,
TK2000™
.50 Caliber, 5/8"
209 Primer w/FPJ
M900021



Power Stem,
.50 & .52, 1 1/16" **M900042**



For loose powder only!
WARNING! Using pelletized powder can cause an explosion

Knight Mountaineer™

Action: Patented Double Safety System, New C-Toolless, Quick Release, Removable Bolt Assembly. Removable Stainless Steel Breech Plug (see page 19 for breech plug identification for .50 and .52 caliber).

Ballistics/Recommended Loads: (see page 14)

Barrel: 27" Free Floating Green Mountain® rifle barrel, 1:28" Twist, .50 Stainless, 1:26" Twist, .52 Stainless,

Ignition: Bare 209 primer ignition

Included In Package: Hex Head Combo Tool, Five Plug Screws, 5/32 Allen Wrench

Length and Weight: 45 1/2 inches, 7 lbs. 5.5 oz.

Loading: General (see page 11)

Powder: Black Powder, and industry approved black powder substitutes. (Maximum Powder Charge) 150 grains by volume, in loose or the pelleted powders.

Recommended Scope Mounts: #M900775, #M900776 Weaver Ring/Base Sets.

Sights: Fully Adjustable Metallic Red Fiber Optic Rear Sight and a one piece Green Fiber Optic Bead and base. Receiver drilled and tapped for easy scope mounting.

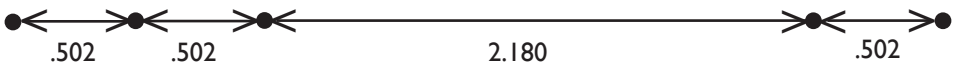
Stock: Refer to current catalog

Trigger: Adjustable Knight® Trigger with Metal Trigger Guard.

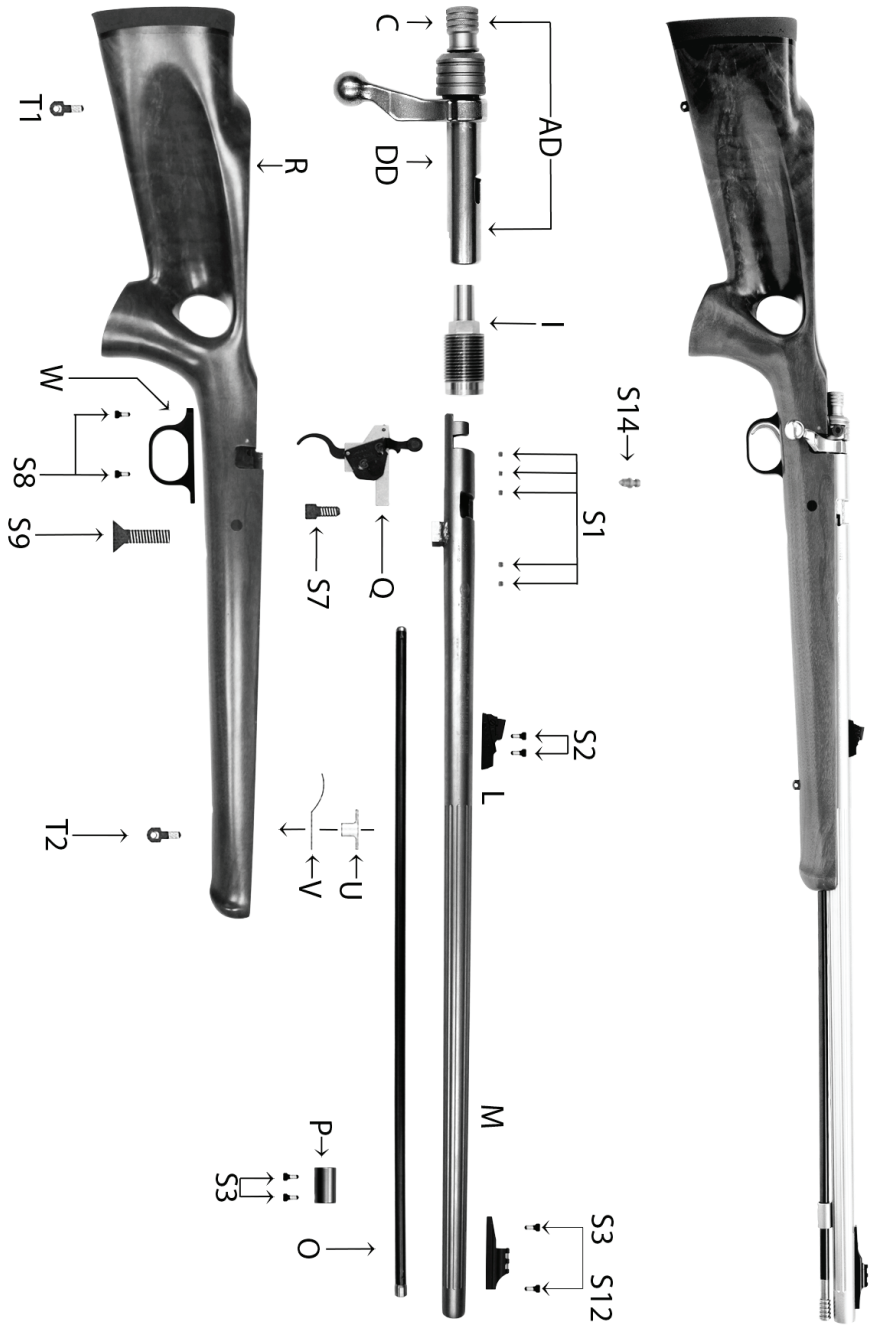
Warranty: Limited Lifetime with extended service policy. (See page 42)

***Note:** When using Weaver style bases, you may have to shorten the front screw of the front base (closest base and screw to the muzzle) approximately 1/16" for proper fit.

Receiver Hole Spacing for Scope Base Mounting



Knight Mountaineer™



DISC Extreme™

Action: Patented Double Safety System, New C-Toolless, Quick Release, Removable Bolt Assembly. Removable Stainless Steel Breech Plug (see page 19 for breech plug identification for .50 and .52 caliber).

Ballistics/Recommended Loads: (see page 14)

Barrel: 26", 1:30" Twist, .45 fluted Blued-Stainless, 26", 1:28" Twist, .50 Blued-Stainless, 26", 1:26" Twist, .52 Stainless, Green Mountain® rifle barrels

Ignition: Full Plastic Jacket™, 209 Primer and bare 209 primer ignition

Included In Package: Hex Head Combo Tool, Five Plug Screws, 5/32 Allen Wrench, Full Plastic Jackets.

Length and Weight: 45 inches, 7.7 lbs.

Loading: General (see page 11)

Powder: Black Powder Ffg, and industry approved black powder substitutes.(Maximum Powder Charge) 150 grains by volume, in loose or the pelleted powders.

Recommended Scope Mounts: #M900775, #M900776 Weaver Ring/Base Sets.

Sights: Fully Adjustable Metallic Red Fiber Optic Rear Sight and a one piece Green Fiber Optic Bead and base. Receiver drilled and tapped for easy scope mounting.

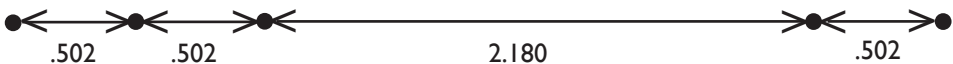
Stock: Refer to current catalog

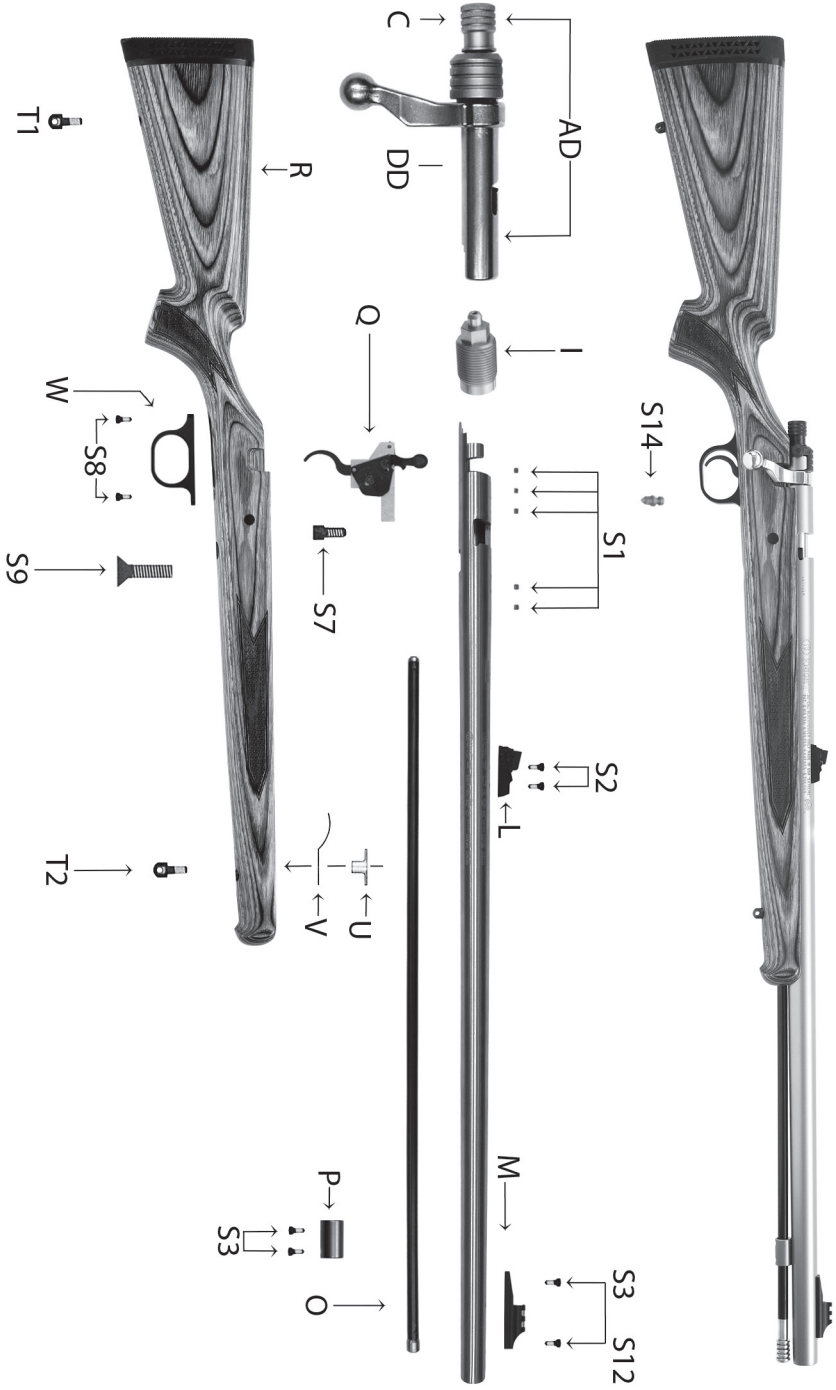
Trigger: Adjustable Knight® Trigger with Metal Trigger Guard.

Warranty: Limited Lifetime with extended service policy. (See page 42)

***Note:** When using Weaver style bases, you may have to shorten the front screw of the front base (closest base and screw to the muzzle) approximately 1/16" for proper fit.

Receiver Hole Spacing for Scope Base Mounting





Long Range Hunter™

Action: Patented Double Safety System, New C-Toolless, Quick Release, Removable Bolt Assembly. Removable Stainless Steel Breech Plug (see page 19 for breech plug identification for .50 and .52 caliber).

Ballistics/Recommended Loads: (see page 14)

Barrel: 26", 1:28" Twist, .50 Blued-Stainless, 26", 1:26" Twist, .52 Stainless, Green Mountain® Spiral Fluted rifle barrel

Ignition: Full Plastic Jacket™, 209 Primer and bare 209 primer ignition

Included In Package: Hex Head Combo Tool, Five Plug Screws, 5/32 Allen Wrench, Full Plastic Jackets.

Length and Weight: 45 inches, 8lbs. 6 oz.

Loading: General (see page 11)

Powder: Black Powder, and industry approved black powder substitutes. (Maximum Powder Charge) 150 grains by volume, in loose or the pelleted powders.

Recommended Scope Mounts: #M900775, #M900776 Weaver Ring/Base Sets.

Sights: Fully Adjustable Metallic Red Fiber Optic Rear Sight and a one piece Green Fiber Optic Bead and base. Receiver drilled and tapped for easy scope mounting.

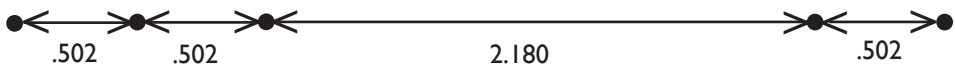
Stock: Refer to current catalog

Trigger: Adjustable Knight® Trigger with Metal Trigger Guard.

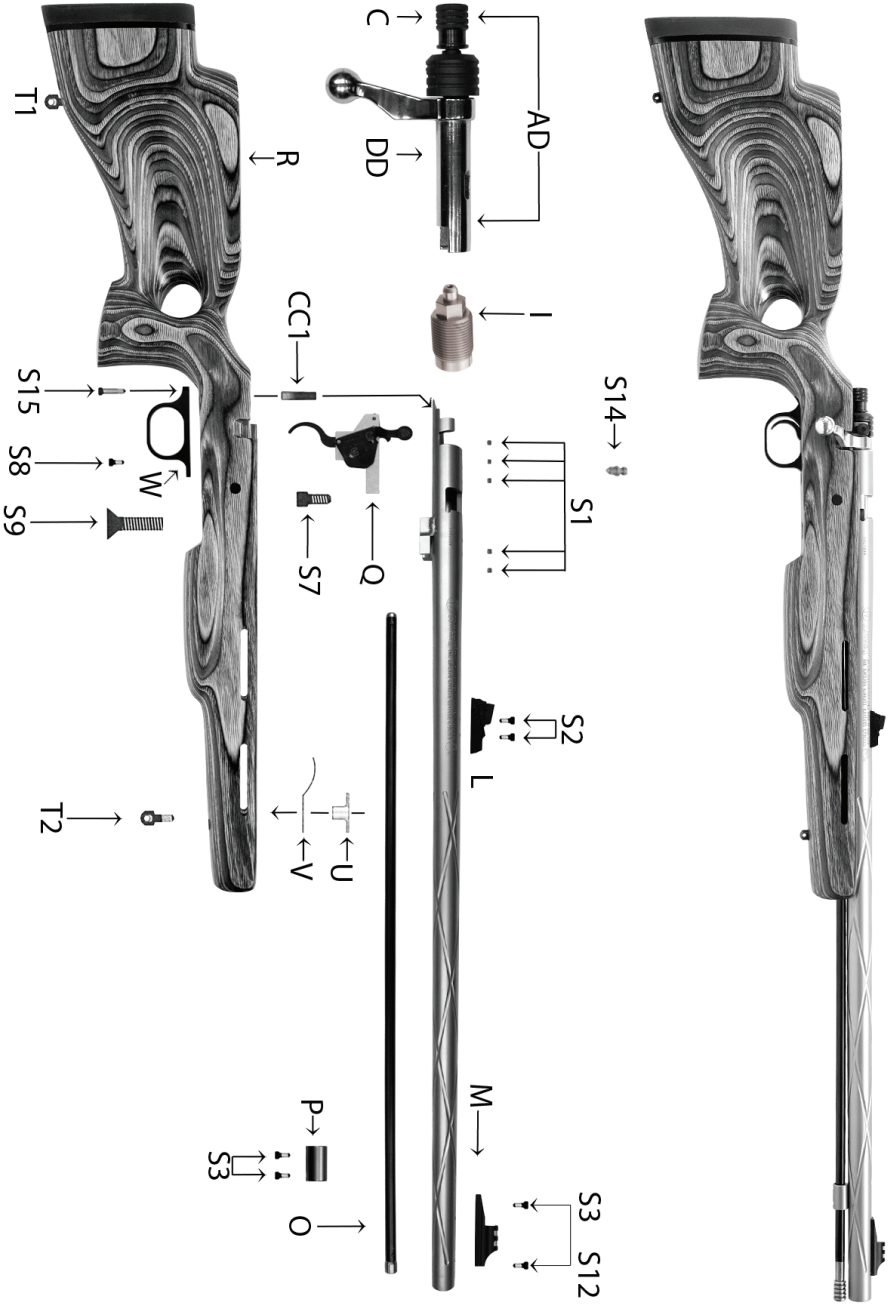
Warranty: Limited Lifetime with extended service policy. (See page 42)

***Note:** When using Weaver style bases, you may have to shorten the front screw of the front base (closest base and screw to the muzzle) approximately 1/16" for proper fit.

Receiver Hole Spacing for Scope Base Mounting



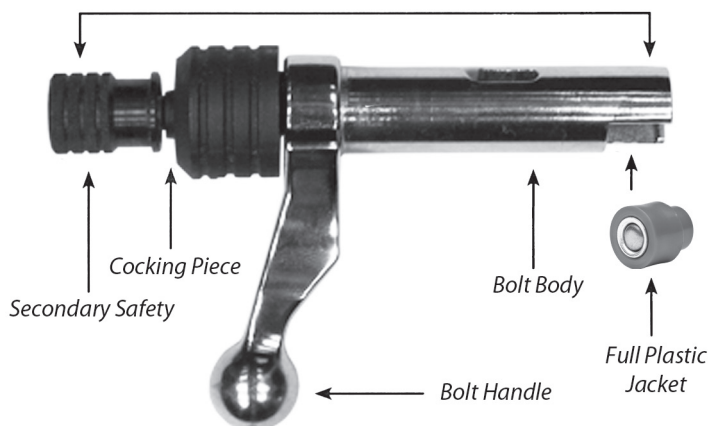
Long Range Hunter™



Action and Safety Systems

Bolt Action

The bolt has been designed for easy removal and breakdown for easy cleaning of internal and external surfaces. The rifle also features a removable breech plug, making it easier to clean the bore thoroughly from one end to the other. The design also allows you to unload the rifle without firing by pushing unfired powder and/or bullet out the back of the barrel with the ramrod.



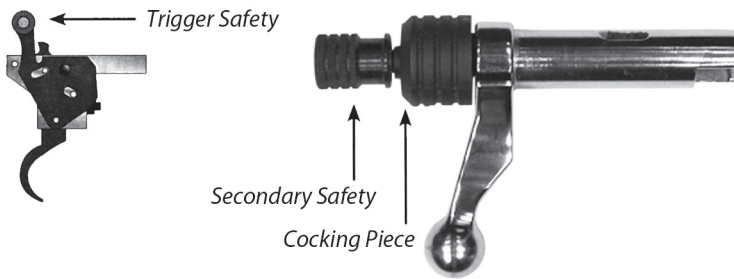
The bolt functions by lifting the handle and pulling back slightly to expose the priming port at the face of the bolt. This also cocks the hammer. To prime the rifle with a 209 primer, press the primer flush into the **Full Plastic Jacket™** (DISC). Insert the **Full Plastic Jacket™** in to receiver. When the bolt handle is pushed forward and down, it is formed over the primer and nipple. Full Plastic Jackets are not designed for reuse.

Patented Double Safety System

The trigger safety is located on the right side of the trigger. When the safety is pulled to the rear, it is in the **safe** position. This locks the trigger so that the hammer will not release. When the safety is pushed forward, it is in the **fire** position and the hammer will release if the trigger is pulled.

The secondary safety is located on the rear of the hammer or bolt. This safety is activated by turning the secondary safety in a clockwise motion. The use and design of the secondary safety is to keep the rifle from firing by not permitting the hammer to strike the igniter. When the safety is turned in a counter-clockwise motion until it stops, it is in the **fire** position. Both safeties must be in the **fire** position to fire the rifle.

DISC Extreme™, Long Range Hunter™, Mountaineer™



Disassembly and Assembly

WARNING! Be sure rifle is not loaded or primed before disassembly or assembly.

Study the rifle schematic and acquaint yourself with the different parts and terminology of your muzzleloader before assembling or disassembling. Letters and numbers in parentheses refer to labels on each rifle schematic for each model.

It is advisable to use a padded vise to remove and reinstall the breech plug. Place small parts in a pan to avoid losing them.

Disassembly

- 1.) Remove the ramrod (**O**) from the stock and set aside.
- 2.) (**DISC Extreme™, Mountaineer™ Only**) Remove the barreled action from the stock. The barreled action is held in the stock with one stock screw. It is located just forward of the trigger guard (**W**). Remove these screws and carefully separate the barrel assembly from the stock. Set the stock aside.
(**Long Range Hunter™ Only**) Remove the barreled action from the stock. The barreled action is held in the stock with two stock screws. One (**S14**) located just forward of the trigger guard (**W**) and the other (**S15**) behind and part of the trigger guard (**W**). The second stock screw releases the tension of the "C" clip (**CCI**) hold on the rear of the receiver. Remove these screws and carefully separate the barrel assembly from the stock and "C" clip. Set the stock aside.
- 3.) Remove the trigger assembly. Remove the trigger mounting screw (**S7**), and lift the trigger assembly from the receiver. Remove the bolt. Lift the bolt handle up, pull open the quick release, detent screw that holds the bolt in place from the left side of the receiver, and pull the bolt out.
- 4.) Remove the breech plug. Insert the combo tool (breech plug wrench side) into the receiver, engage the breech plug (**I**) and turn it counterclockwise. This may require a considerable amount of force. (Holes in the combo tool allow a rod to be used for added leverage.)

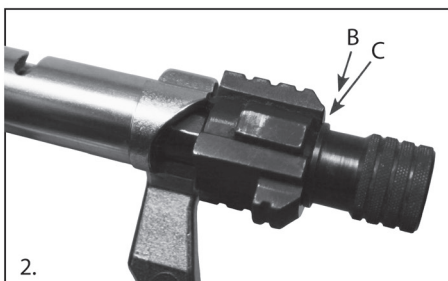
Assembly

- 1.) Install the breech plug. Fill the threads of the plug with **Knight® Breech Plug Grease™** to help prevent the breech plug sticking in the receiver. Using the breech plug end of the combo tool, insert the breech plug (**I**) into the rear of the receiver and hand tighten the plug into the receiver until it is firmly against the back of the barrel. Be sure the breech plug is screwed all the way into the receiver. Do not over tighten the plug or it will become difficult to remove.
- 2.) Install the trigger. Using the trigger mounting screw (**S7**), mount the trigger assembly (**Q**) to the receiver. Tighten until the trigger assembly is firm against the receiver. Make sure it is aligned with the receiver.
- 3.) Install the bolt. While pulling and holding open the quick detach bolt release button (left side of the receiver), slide the bolt all the way into the receiver. Let the release button close. Work the bolt down to the closed position.
- 4.) (**Long Range Hunter™ Only**) Install the barrel by first sliding the rear of the receiver into the “C” clip (**CCI**) and rocking the barrel into the stock. Replace and tighten both stock screws (**S14 & S15**). Install the ramrod (**O**).

DISC C-Toolless Bolt Removal and Disassembly

When you are ready to remove and clean your bolt, follow this procedure to avoid misalignment problems.

- 1.) With the rifle bolt handle in the up position, while pulling out on the spring loaded Quick Release bolt screw (**Photo #1 - Letter A**), pull the bolt out of the receiver.
- 2.) Turn the secondary safety clockwise until the cocking piece (**Photo #2 - Letter B**) is drawn up against the front edge of secondary safety. (**Photo #2 - Letter C**)
- 3.) Unscrew the striker assembly counterclockwise, until it is free from the bolt body. (Further disassembly is not required; doing so may result in your having to send the bolt back to be reassembled.)



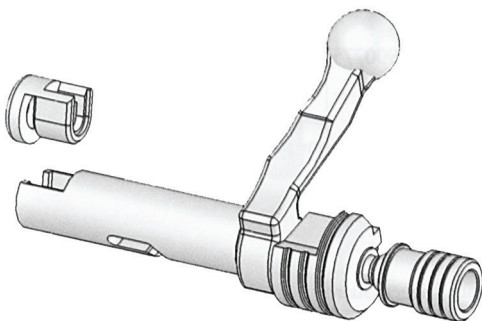
- 4.) Clean and oil as necessary.

- 5.) To assemble, thread the striker assembly clockwise into the bolt body. Do not apply any pressure after the threading reaches the end. Do not tighten the striker against the bolt housing.
- 6.) When the striker assembly reaches the end of the threads, turn it counterclockwise, until reference points (**Photo #3 - Letters D & E**) are aligned with each other. Hold your thumb against the bolt (**Photo #4 - Letter E**) (this will help allow you to keep the bolt body striker assembly aligned correctly) then unscrew the secondary safety until there is no more pressure. If the assembly is not aligned, repeat steps 2, 3, 5, and 6.
- 7.) While pulling out on the spring-loaded **Quick Release™** bolt screw (**Photo #1 - Letter A**), slide the bolt all the way back into the receiver. Release the bolt screw. Make sure the trigger and secondary safeties are both in the **safe** position. Close the bolt handle.

209 Conversion Non-Full Plastic Jacket Breech Plugs

The DISC Extreme™ and Long Range Hunter™ can be converted to use 209 primers with out the **DISC Full Plastic Jacket™**.

- 1.) Remove old breech plug from rifle.
- 2.) Generously grease new breech plug with breech plug grease.
- 3.) Insert new breech plug utilizing existing combo tool.
- 4.) Place enclosed adaptor in bolt body as shown in figure below:



Mfg# M900044

Bighorn™

Action: Patented Double Safety System, Removable Bolt Assembly. Removable Stainless Steel Breech Plug (see page 19 for breech plug identification).

Ballistics/Recommended Loads: (see page 14)

Barrel:

Bighorn .50 Cal.: 26" Stainless steel Green Mountain® barrel, 1:28" Twist

Bighorn .52 Cal.: 26" Stainless steel Green Mountain® barrel, 1:26" Twist

Ignition: Full Plastic Jacket™, 209 Primer, #11, Musket-Cap Percussion.

Included In Package: Hex Head Combo Tool, Five Plug Screws, 5/32 Allen Wrench, Full Plastic Jackets, Capper/Decapper, Owners Manual.

Length and Weight: Bighorn: 45 inches, 7.4 lbs.

Loading: General (see page 11)

Powder: Black Powder, and industry approved black powder substitutes. (Maximum Powder Charge) 150 grains by volume, in loose or the pelleted powders.

Recommended Scope Mounts: #M900775, #M900776 Weaver Ring/Base Sets.

Sights: Fully Adjustable Metallic Red Fiber Optic Rear Sight and a one piece Green Fiber Optic Bead and base. Receiver drilled and tapped for easy scope mounting.

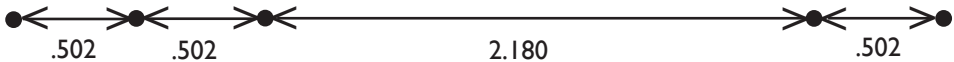
Stock: Refer to current catalog

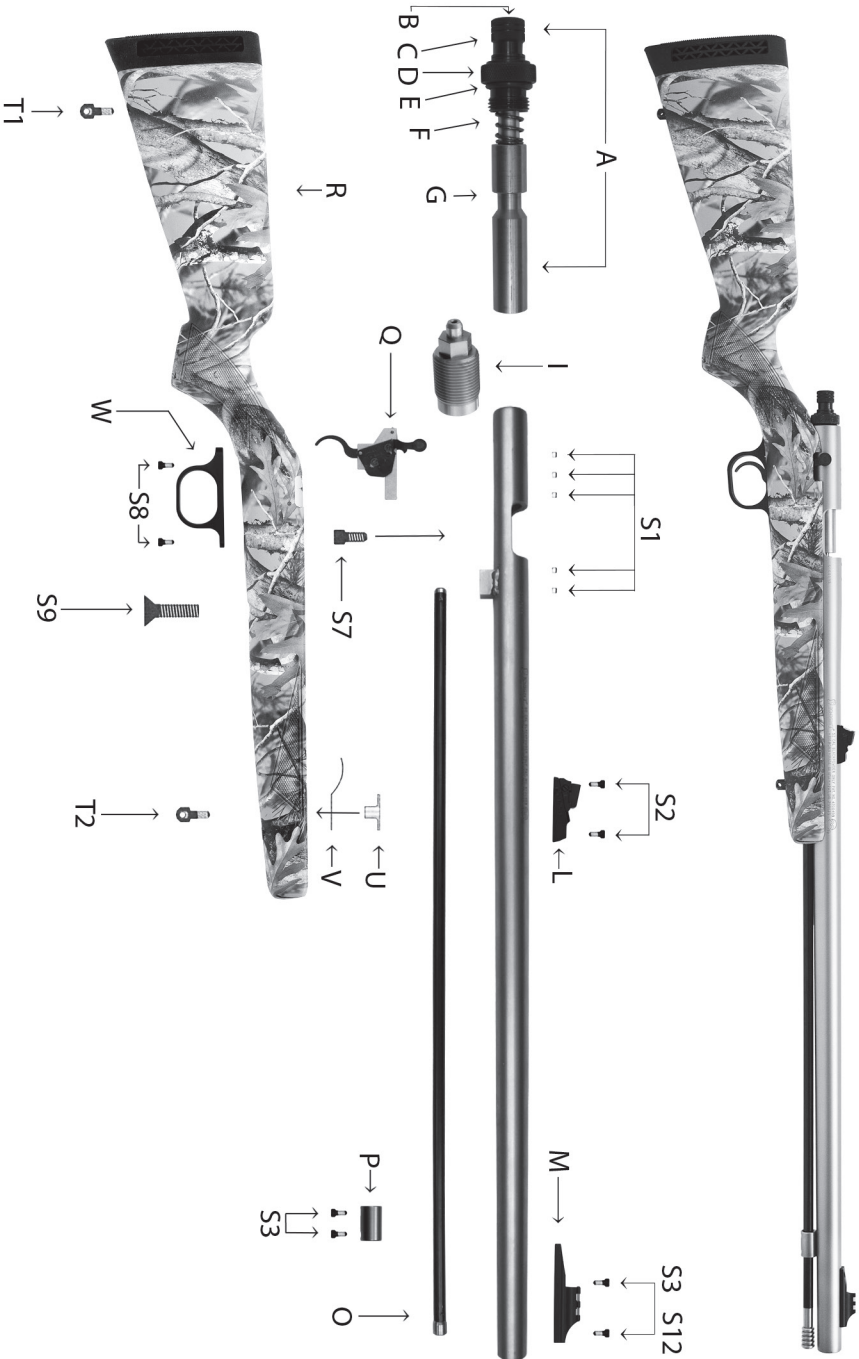
Trigger: Adjustable Knight® Trigger with Metal Trigger Guard

Warranty: Limited Lifetime with extended service policy. (See page 42)

***Note:** When using Weaver style bases, you may have to shorten the front screw of the front base (closest base and screw to the muzzle) approximately 1/16" for proper fit.

Receiver Hole Spacing for Scope Base Mounting





TK2000™ Shotgun

Action: Patented Double Safety System, one-piece removable Extreme 209 hammer assembly. Removable stainless steel breech plug (see page 19 for breech plug identification).

Loads: (see page 15)

Barrel: 26" 12 gauge with internal jug choking.

Ignition: Full Plastic Jacket™, 209 Primer

Included In Package: Hex Head Combo Tool, Five Plug Screws, 5/32 Allen Wrench, Full Plastic Jackets, Capper/Decapper, Overshot wads, Shot cups, Owners Manual.

Length and Weight: 45 inches, 7.5 lbs.

Loading: General (see page 11)

Powder: Black Powder, and industry approved black powder substitutes. (Maximum Powder Charge 120 grains by volume), recommended max 100 grains, when using T7.

Recommended Scope Mounts: #M900775, #M900776 Weaver Ring/Base Sets.

Sights: Fully Adjustable Metallic Red Fiber Optic Rear Sight and a one piece Green Fiber Optic Bead and base. Receiver drilled and tapped for easy scope mounting.

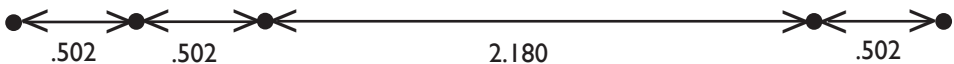
Stock: Refer to current catalog

Trigger: Adjustable Knight® Trigger with Metal Trigger Guard

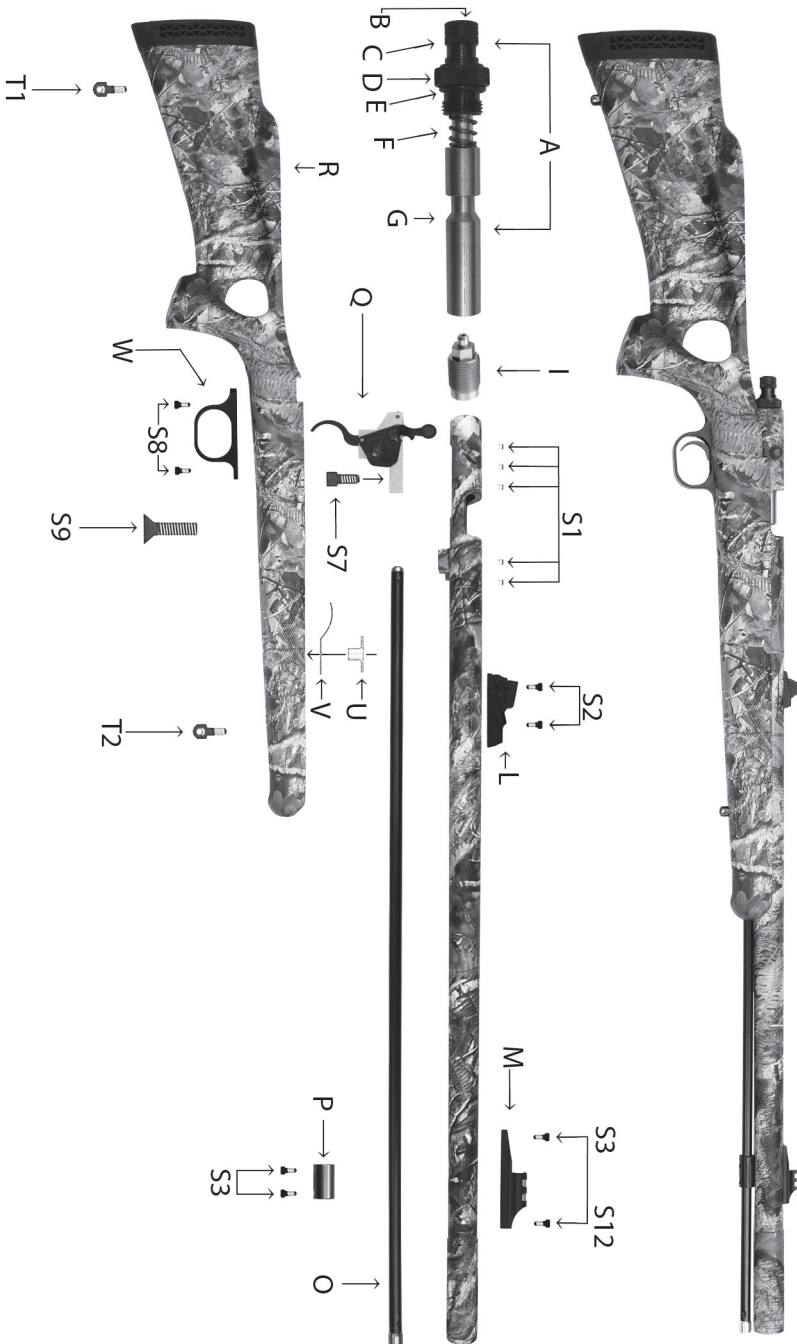
Warranty: Limited Lifetime. (See page 42)

***Note:** When using Weaver style bases, you may have to shorten the front screw of the front base (closest base and screw to the muzzle) approximately 1/16" for proper fit.

Receiver Hole Spacing for Scope Base Mounting



TK2000™ Shotgun



Littlehorn™

Action: Patented Double Safety System, Removable Bolt Assembly. Removable Stainless Steel Breech Plug (see page 19 for breech plug identification).

Ballistics/Recommended Loads: (see page 14)

Barrel: 22" Stainless steel hand crafted barrel, 1:28" Twist, .50 cal.

Ignition: Full Plastic Jacket™ - 209 primer, #11, Musket-Cap Percussion.

Included In Package: Hex Head Combo Tool, Five Plug Screws, 5/32 Allen Wrench, Full Plastic Jackets, Capper/Decapper, Owners Manual.

Length and Weight: 39 in., 6 lbs. 7 oz.

Loading: General (see page 11)

Powder: Black Powder, and industry approved black powder substitutes. (Maximum Powder Charge) 120 grains by volume, in loose or the pelleted powders.

Recommended Scope Mounts: #M900775, #M900776 Weaver Ring/Base Sets.

Sights: Fully Adjustable Metallic Red Fiber Optic Rear Sight and a one piece Green Fiber Optic Bead and base. Receiver drilled and tapped for easy scope mounting.

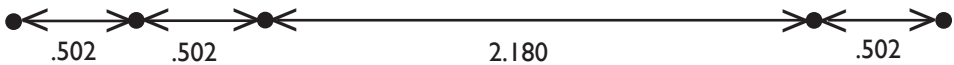
Stock: Refer to current catalog

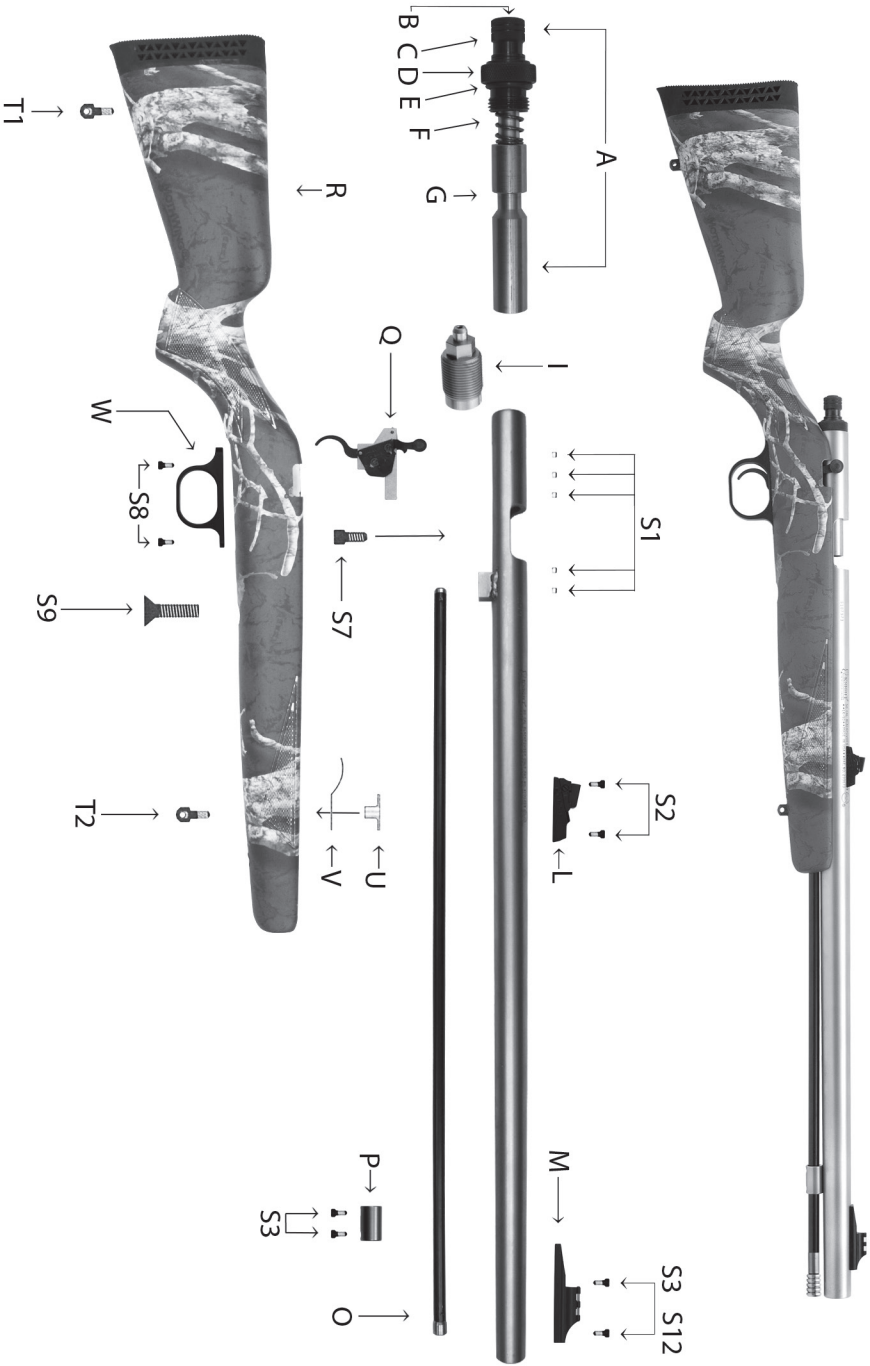
Trigger: Adjustable Knight® Trigger with Metal Trigger Guard

Warranty: Limited Lifetime with extended service policy. (See page 42)

***Note:** When using Weaver style bases, you may have to shorten the front screw of the front base (closest base and screw to the muzzle) approximately 1/16" for proper fit.

Receiver Hole Spacing for Scope Base Mounting



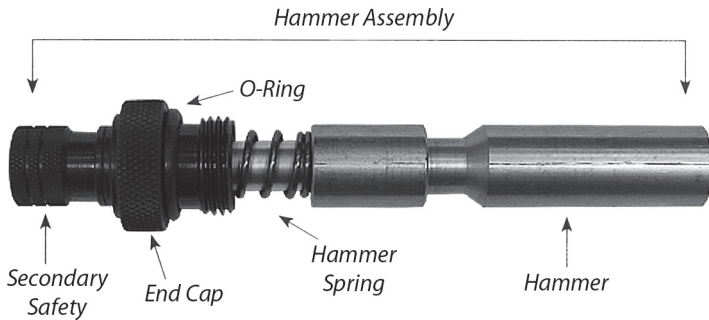


Bighorn™, Littlehorn™, TK2000™ Shotgun

Action and Safety Systems

Straight Pull Action

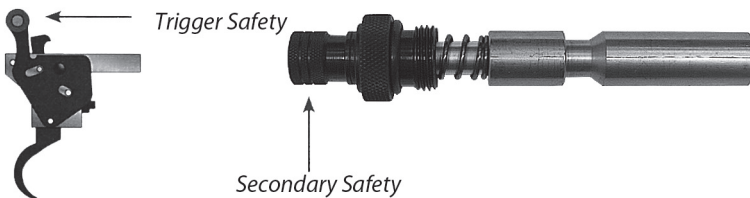
The pull type system functions by pulling the hammer assembly back from the receiver until it cocks. With both safeties off, the hammer under the spring tension is released with a pull of the trigger. The hammer slides through the receiver and strikes the primer. With the rifle primed, using a 209 primer in the red **Full Plastic Jackets™**, a spark moves forward through the breech plug and ignites the powder charge. Because Knight® Rifles's ignition system is in line with the barrel, hammer release, primer firing, and powder charge ignition, it spontaneously gives a more uniformly burned charge with superior accuracy.



Patented Double Safety System

The trigger safety is located on the right side of the trigger. When the safety is pulled to the rear, it is in the *safe* position. This locks the trigger so that the hammer will not release. When the safety is pushed forward, it is in the *fire* position, and the hammer will release if the trigger is pulled.

The secondary safety is located on the rear of the hammer or bolt. This safety is activated by turning the secondary safety in a clockwise motion. The use and design of the secondary safety is to keep the rifle from firing by not permitting the hammer to strike the igniter. When the safety is turned in a counter-clockwise motion until it stops, it is in the *fire* position. Both safeties must be in the *fire* position to fire the rifle.



WARNING! Be sure the muzzleloader is not loaded or primed before disassembly or assembly.

Study the rifle schematic and acquaint yourself with the different parts and terminology of your muzzleloader before assembling or disassembling. Letters and numbers in parentheses refer to labels on each rifle schematic for each model.

It is advisable to use a padded vise to remove and reinstall the breech plug. Place small parts in a pan to avoid losing them.

Disassembly

- 1.) Remove the ramrod (**O**) from the stock and set aside.
- 2.) Remove the barreled action from the stock. The barreled action is held in the stock by a single stock screw (**S9**) located just forward of the trigger guard (**W**). Remove this screw and carefully separate the barrel assembly from the stock (**R**). Set the stock aside.
- 3.) Remove the trigger assembly. Remove the trigger mounting screw (**T**), and lift the trigger assembly from the receiver.
- 4.) Remove the hammer assembly. Unscrew the end cap (**D**) in a counter-clockwise direction. Pull the hammer assembly backward removing the hammer from the receiver.
- 5.) Remove the breech plug. Insert the combo tool (breech plug wrench side) into the receiver, engage the breech plug (**I**) and turn it counter-clockwise. This may require a considerable amount of force. (Holes in the combo tool allow a rod to be used for added leverage).

Assembly

- 1.) Install the breech plug. Fill the threads of the plug with **Knight® Breech Plug Grease™** to help prevent the breech plug from sticking in the receiver. Using the breech plug end of the combo tool, insert the breech plug (**I**) into the rear of the receiver and hand tighten the plug into the receiver until it is firmly against the back of the barrel. Be sure the breech plug is screwed all the way into the receiver. Do not over-tighten the plug or it will become difficult to remove.
- 2.) Install the trigger. Using the trigger mounting screw (**S7**), mount the trigger assembly (**Q**) to the receiver. Tighten until the trigger assembly is firm against the receiver. Make sure it is aligned with the receiver.
- 3.) Install the hammer. Place the trigger safety in the forward *fire* position. While pulling the trigger back, slide the hammer assembly (**A**) into the receiver and past the trigger sear. Screw the end cap (**D**) clockwise into place, finger tight.
- 4.) Install the barrel and stock. Place the barreled action into the stock and tighten the stock screw (**S9**). Install the ramrod (**O**).

209 Conversion Non-Full Plastic Jacket Breech Plugs

The Bighorn™, Littlehorn™, and TK2000™ can be converted to use 209 primers without the **DISC Full Plastic Jacket™**.

- 1.) Remove the old breech plug from the rifle
- 2.) Generously grease the new breech plug with breech plug grease.
- 3.) Insert the new breech plug utilizing the existing combo tool.



Mfg# M900045

Part Ref.	Model No.	Description
A	M090215	HAMMER ASSEMBLY, 5/8 .50, MS, BIGHORN, TK2000, LITTLEHORN
A	M090222	HAMMER ASSEMBLY, 11-16, .52 Cal., MS, BIGHORN
AD	M090232	BOLT ASSEMBLY, SS, DISC EXTREME (C-toolless), LRH
AD	M090210	BOLT ASSEMBLY, SS, MOUNTAINEER
B	M00871	HAMMER SCREW, MS, 10-32 X 3/8 allen head, BIGHORN, DISC EXTREME, TK2000
B	M000881	HAMMER SCREW, SS, 10-32 X 3/8 allen head, MOUNTAINEER
C	M090850	SECONDARY SAFETY, Blued, DISC EXTREME, LRH, LITTLEHORN, TK2000
C	M090860	SECONDARY SAFETY, SS, MOUNTAINEER
CCI	M010292	REAR CLAMP, LRH
D	M090810	END CAP, MS, BIGHORN, TK2000, LITTLEHORN
DD	M000688	DISC BOLT BODY, SS, DISC EXTREME, LRH
DD	M00690	MOUNTAINEER BOLT BODY, SS
E	M000813	END CAP O-RING, BIGHORN, TK2000, LITTLEHORN
F	M000785	HAMMER SPRING, BIGHORN, TK2000, LITTLEHORN
G	M000718	HAMMER RAW, 416 SS, 5/8, BIGHORN, TK2000, LITTLEHORN
G	M000717	HAMMER RAW, 416 SS, 11-16, BIGHORN, .52 Cal.
I	M000615	BREECH PLUG, SS, 11-16, .50 - .52 Cal., MOUNTAINEER
I	M900024	BREECH PLUG, SS, 11-16, .45, .50, .52 Cal., DISC EXTREME
I	M900042	BREECH PLUG, SS, 11-16, 52 Cal., BIGHORN, .50, .52 Cal. DISC EXTREME, .50, .52 Cal LRH, POWER STEM
I	M900021	BREECH PLUG, SS, 5/8, 50 Cal., BIGHORN, LITTLEHORN, TK2000, FULL PLASTIC JACKETS
I	M900023	BREECH PLUG, SS, 50 Cal., BIGHORN, #11 & MUSKET NIPPLES
I	M000624	BREECH PLUG, SS, 11-16, 52 Cal., BIGHORN, #11 & MUSKET NIPPLES
I	M000634	BREECH PLUG, SS, 11-16, 54 Cal., From EXTREME KIT 900604
L	M008814	SIGHT, Rear Assembly (Base & Fiber Optic Blade, Screws) Fits all Knight Rifles
L	M008801	SIGHT, Rear Assembly (Base & Black Blade, Screws) Composite
M	M900175	SIGHT, Front Green Fiber Optic (1 Piece Base & Bead) Fits all Knight Rifles
M	M008818	SIGHT, 1 Piece Front, Non-Fiber Optic, Metal, 2005 BIGHORN Assy. Kit
O	M900087F	RAMROD, 27", with Extending Jag .50 Cal, MOUNTAINEER, LRH
O	M900287F	RAMROD, 27", with Extending Jag, .52 Cal, MOUNTAINEER, LRH
O	M900088F	RAMROD, 26", with Extending Jag, .50 Cal, BIGHORN, DISC EXTREME
O	M900288F	RAMROD, 26", with Extending Jag, .52 Cal, BIGHORN, DISC EXTREME
O	M900084F	RAMROD, 22", with Extending Jag, .50 Cal, LITTLEHORN

Knight Parts™

Part Ref.	Model No.	Description
O	M010107	RAMROD, 26" with Extending .45 Jag,
O	M010100	RAMROD, 26" with Extending .50 Jag,
O	M010098	RAMROD, 26" with Extending 12 Gauge Jag, TK2000
P	M090891	RAMROD GUIDE, MS, DISC EXTREME
P	M090901	RAMROD GUIDE, SS, DISC EXTREME
Q	M090262	TRIGGER ASSEMBLY, .50, .52 Cal. BIGHORN, LITTLEHORN, TK2000
Q	M090272	TRIGGER, ASSEMBLY, BIGHORN - LH
Q	M090266	TRIGGER ASSEMBLY, DISC EXTREME
Q	M090277	TRIGGER ASSEMBLY, MOUNTAINEER Gold Anniversary Edition
Q	M090275	TRIGGER ASSEMBLY, MOUNTAINEER
R	MMT707TF	STOCK, MOUNTAINEER, .50 Cal, Forest Green TH
R	MMT727TF	STOCK, MOUNTAINEER, .52 Cal, Forest Green TH
R	MMT707TSG	STOCK, MOUNTAINEER, .50 Cal, Shadow Gray TH
R	MMT727TSG	STOCK, MOUNTAINEER, .52 Cal, Shadow Gray TH
R	MMT707SF	STOCK, MOUNTAINEER, .50 Cal, Forest Green SS
R	MMT727SF	STOCK, MOUNTAINEER, .52 Cal, Forest Green SS
R	MMT707SSG	STOCK, MOUNTAINEER, .50 Cal, Shadow Gray SS
R	MMT727SSG	STOCK, MOUNTAINEER, .52 Cal, Shadow Gray SS
R	MMT707TW	STOCK, MOUNTAINEER, .50 Cal, Burl Walnut TH
R	MMT727TW	STOCK, MOUNTAINEER, .50 Cal, Burl Walnut TH
R	MDE706TCK	STOCK, DISC EXTREME, .50 Cal, CarbonKnight TH
R	MDE726TCK	STOCK, DISC EXTREME, .52 Cal, CarbonKnight TH
R	MDE706TNV	STOCK, DISC EXTREME, .50 Cal, Next Vista TH
R	MDE726TNV	STOCK, DISC EXTREME, .52 Cal, Next Vista TH
R	MDE706SCK	STOCK, DISC EXTREME, .50 Cal, CarbonKnight SS
R	MDE726SCK	STOCK, DISC EXTREME, .52 Cal, CarbonKnight SS
R	MDE706SBB	STOCK, DISC EXTREME, .50 Cal, Black/Brown SS
R	MDE726SBB	STOCK, DISC EXTREME, .52 Cal, Black/Brown SS
R	MDE706SNV	STOCK, DISC EXTREME, .50 Cal, Next Vista SS
R	MDE726SNV	STOCK, DISC EXTREME, .52 Cal, Next Vista SS
R	MBH706SNV	STOCK, BIGHORN, .50 Cal, Next Vista SS
R	MBH726SNV	STOCK, BIGHORN, .52 Cal, Next Vista SS

Part Ref.	Model No.	Description
R	MBH706TNV	STOCK, BIGHORN, .50 Cal, Next Vista TH
R	MBH726TNV	STOCK, BIGHORN, .52 Cal, Next Vista TH
R	MBH706SCK	STOCK, BIGHORN, .50 Cal, CarbonKnight SS
R	MBH726SCK	STOCK, BIGHORN, .52 Cal, CarbonKnight SS
R	MBH706TCK	STOCK, BIGHORN, .50 Cal, CarbonKnight TH
R	MBH726TCK	STOCK, BIGHORN, .52 Cal, CarbonKnight TH
R	MBH726STT	STOCK, BIGHORN, .52 Cal, True Timber MC2 SS
R	MBH726TTT	STOCK, BIGHORN, .52 Cal, True Timber MC2 TH
R	MLH702GD	STOCK, LITTLEHORN, .50 Cal, Gameday Camo SS
R	MLH702NV	STOCK, LITTLEHORN, .50 Cal, Next Vista SS
R	MTK2000TSM	STOCK, TK2000, 12 Gauge, Spring Mimicry TH
S1	M090253	SCREW, Plug Screw, MS, 6-48
S2	M010030	SCREW, Sight, 6-48 x .260
S3	M010020	SCREW, Sight, 6-48 x .160
S7	M008700	SCREW, Trigger Mounting, 10-32 x 1/2, ALL RIFLES
S8	M010140	SCREW, Trigger Guard, Wood Screws, ALL RIFLES
S9	M010210	SCREW, Stock, 1/4-20 x 1, ALL RIFLES
S14	M008462	SCREW, Quick Release Detent, DISC EXTREME, MOUNTAINEER, LRH
S15	M010141	SCREW, Trigger Guard, LRH
T1	M010160	SWIVEL STUD, Rear, QD std wood screw, MS, all other stocks
T2	M010150	SWIVEL STUD, Front, QD, 3/8 mach screw, MS, all other stocks
U	M010232	BASE WELD NUT, 10-32 Front Swivel Stud, All Stocks
V	M010242	RAMROD SPRING LEAD, all stocks
W	M010130	TRIGGER GUARD, MS, DISC EXTREME, MOUNTAINEER, BIGHORN, LITTLEHORN, TK2000
W	M010131	TRIGGER GUARD, LRH
X	010202	STOCK BUSHING SCREW, MS, .250
	M120111	ALLEN WRENCH, 5/32
	M090977	COMBO TOOL, 5.5" Hex/Nipple Headed, BIGHORN
	M090978	COMBO TOOL, 5.5" Hex Head Only, DISC EXTREME, TK2000
		INSTRUCTIONAL DVD
	M201102	OWNER'S MANUAL

Knight Warranty™

Service Policy

Every Knight® muzzleloader is carefully inspected and tested in order to ensure that it conforms to Knight's® strict specifications and standards.

Any alteration, modification, misuse, repair, or refinishing will result in voiding the warranty. If there is any question regarding the performance of your muzzleloader, please write our Service Department, fully describing all circumstances and conditions involved. If our Service Department makes the determination that your muzzleloader requires factory service you will be so advised and will be given instructions for the most expeditious handling of your muzzleloader.

Our Service Department will give your muzzleloader a complete inspection and evaluate the problem(s) specified in your letter. If the work required is not covered under the terms of our Limited Lifetime Warranty or Limited Lifetime Warranty with Extended Service Policy (refer to page 29 of this manual), you will receive an actual cost quotation, not an estimate. Any repair work must be authorized by you, and no work will be done without your express approval.

Instructions for Return

Following these instructions will ensure you the best possible service. IF for any reason you should have to return the muzzleloader, **please use extreme caution and make certain that it is unloaded.** Please return the completed muzzleloader.

- 1.) Package the muzzleloader securely to prevent damage in transit.
- 2.) Ensure that a letter is securely and obviously attached to the muzzleloader. This letter should include your full name, address, and telephone number where you may be reached both during normal business hours and at your residence. Include a thorough description of the problem that you encountered with your muzzleloader so that we may make proper repairs. Please make your letter as clear as possible (using diagrams, if possible); please write or print legibly or have the letter typed. If you prefer, you may call Knight Rifles at the number listed below or e-mail at **customer_service@knight-rifles.com**.
- 3.) Send your muzzleloader prepaid parcel post or UPS insured to the address listed below. C.O.D. shipments will not be accepted.

If you need further help or information concerning this warranty, please write or call the Knight® Rifles Service Department at the following address:

Knight Rifles®
21822 Hwy. J46
Centerville, IA 52544
Telephone: (641) 856.2624 ext. 104
Web Site: www.knightrifles.com

Knight Rifles®
213 Dennis St.
Athens, TN 37303
Telephone: (866) 518.4181
E-mail:
customer_service@knightrifles.com

Warranty Limitations

Knight® products are sold by us with the specific understanding that we are not responsible in any manner whatsoever for their safe handling or resale under local, state, and federal laws and regulations. Knight® Rifles shall not be responsible in any manner whatsoever for malfunctioning of the muzzleloader, for physical injury, or for property damage resulting in whole or in part from:

- 1.) Accidental or negligent discharge
- 2.) Improper or careless handling
- 3.) Unauthorized modifications
- 4.) Defective or improperly loaded powder or projectile
- 5.) Corrosion
- 6.) Neglect
- 7.) Other influences beyond our direct and immediate control.

This limitation applies regardless of whether liability is asserted on the basis of contract, negligence, or strict liability (including failure to warn). Under no circumstances shall Knight® Rifles be liable for incidental or consequential damages, such as loss of use of property, commercial loss, and loss of earning profits.

Knight® Rifles is not responsible for any alterations to your Knight® Muzzleloader™ or any part thereof after it leaves our control, or for the additional substitution of parts or accessories not manufactured by Knight® Rifles. Any changes made in this product are specifically contrary to our instructions, and we are expressly do not authorize any changes to be made after manufacture. **Any alteration will result in voiding the warranty.**

If you need further help or information concerning this warranty, please write or call the Knight® Rifles Service Department at the following address:

Knight Rifles®
21822 Hwy. J46
Centerville, IA 52544
Telephone: (641) 856.2624 ext. 104
Web Site: www.knightrifles.com

Knight Rifles®
213 Dennis St.
Athens, TN 37303
Telephone: (866) 518.4181
E-mail:
customer_service@knightrifles.com

Knight Warranty™

Limited Lifetime Warranty Extended Service Policy (Mountaineer™, DISC Extreme™, Bighorn™, Littlehorn™, TK2000™, Long Range Hunter)

Year 1:

Knight® Rifles will repair or replace any defective part caused by defective materials/craftsmanship.

Year 2-5 (extended service policy - Mountaineer™, DISC Extreme™, Bighorn™, Long Range Hunter™, TK2000™, Littlehorn™):

Knight® Rifles will replace or repair any defective threaded parts caused by defective material/craftsmanship.

Lifetime:

Knight® Rifles will replace or repair a defective barrel or receiver caused by defective material/craftsmanship.

Warranty Limitation:

- Warranty begins at the original date of purchase
- Warranty applies only to normal use
- Warranty only applies to original purchaser
- Warranty does not apply to wear items such as nipples, breech plugs

Warranty is Void if:

- Serial number is defaced
- There is a defect due to damage or product alteration
- Product is not used in accordance with use and care instructions
- Rifle is not cleaned per owner's manual
- Knight® Rifles is not responsible for any incidental or consequential damages

Owners Responsibilities:

- Provide proof of purchase (sales invoice/canceled check/warranty card/UPC code)
- Normal care and maintenance
- Replacing owner replaceable items
- Shipping/handling and insurance on a factory return
- Normal cleaning as instructed per owner's manual

No other warranties. To the maximum extent permitted by applicable law, Knight® Rifles disclaims all other warranties, either express or implied, including, but not limited to, implied warranties of merchantability and fitness for a particular purpose.

This limited warranty gives you specific legal rights. You may have others which vary from state/jurisdiction to state/jurisdiction.

No Liability for Consequential Damages. To the maximum extent permitted by applicable law, in no event shall Knight® Rifles or its suppliers be liable for any damages whatsoever (including, without limitation, special, incidental, consequential, or indirect damages for personal injury or any other pecuniary loss) arising out of the use of or inability to use this product, even if Knight® Rifles has been advised of the possibility of such damages. In any case, Knight® Rifles' and its suppliers' entire liability under any provision of this agreement shall be limited to the amount actually paid by you for the product. Because some states/jurisdictions do not allow the exclusion or limitation of liability for consequential or incidental damages, the above limitation may not apply to you. This warranty gives you specific legal rights, and you may have others which vary from state to state. For example, some states do not allow the exclusion or limitation of incidental or consequential damages, so this exclusion may not apply to you.

Do not return your muzzleloader to the store.

Most problems can be resolved by simply calling Knight® Rifles at (866) 518-4181. Should your firearm require adjustment, repair, or refinishing, we strongly recommend that it be returned to Knight® Rifles for factory service or contact the dealer you purchased your rifle from.

Knight® Rifles • 21822 Hwy. J46 • Centerville, IA 52544.

Disclaimer: Knight® Rifles are designed for use with Black Powder, and industry approved black powder substitutes. Our products are designed specifically for use on Knight® rifles. Knight® Rifles expressly disclaims any and all liability for incidental or consequential damages due to the misuse or altering of these rifles and products; any mishandling (whether accidental or purposeful) of these rifles and products; exceeding the maximum load recommendations; or for rifles on which our products have been installed.



213 Dennis St.
Athens, TN 37303
866.518.4181

21822 Hwy J46
Centerville, IA 52544
641.856.2624

www.knightrifles.com